

Product availability: Non-Stock - Not normally stocked in distribution facility



### Main

Range of Product	Modicon STB distributed I/O solution
Product or Component Type	Basic digital input kit
Kit composition	STBXTS1100, 6-terminal screw type connector STBDDI3615 module STBXBA1000 base STBXTS2100, 6-terminal spring clamp connector
Discrete input number	6
Discrete input voltage	24 V
Discrete input voltage type	DC

### Complementary

Input voltage limits	15...30 V at state 1 -3...5 V at state 0
Acceptable Input Voltage	30 V
Absolute maximum voltage	56 V 1.3 ms
Discrete input current	4.5 MA
Current state 0 guaranteed	<= 0.5 mA
Current state 1 guaranteed	>= 2.5 mA
Discrete input logic	Positive
Response time	5.25 ms off-to-on 5.75 ms on-to-off
Protection type	Power protection integrated fuse on PDM time lag 5 A Input protection resistor-limited Reverse polarity protection
Insulation between channels and logic bus	1500 V for 1 minute
Cold swapping	Yes
Hot swapping fallback	Yes for basic NIMs
Input filtering	5 ms
Product Compatibility	Power distribution module STBPDT3100/3105 I/O base STBXBA1000
[Us] rated supply voltage	24 V DC
Supply	Power distribution module
Current consumption	45 mA 5 V DC logic bus

Marking	CE
Overvoltage category	II
Status LED	Module status (RDY) 1 LED Green) Channel status (IN1 to IN6) 1 LED per channel Green)
Maximum Depth	2.56 In (65.1 mm)
Maximum Height	0.72 In (18.4 mm)
Maximum Width	4.92 In (125 mm)
Net Weight	0.25 Lb(US) (0.112 kg)

## Environment

Standards	EN/IEC 61131-2 type 1
Product Certifications	UL FM Class 1 Division 2 CSA
Pollution degree	2 IEC 60664-1
Operating altitude	<= 6561.68 ft (2000 m)
IP degree of protection	IP20 conforming to EN 61131-2 class 1
Ambient air temperature for operation	32...140 °F (0...60 °C) without derating)
Ambient air temperature for operation	32...140 °F without derating
Ambient air temperature for storage	-40...185 °F (-40...85 °C) without derating
Ambient air temperature for storage	-40...185 °F without derating
Relative humidity	95 % 140 °F (60 °C) without condensation
Vibration resistance	3 gn 58...150 Hz 35 x 7.5 mm symmetrical DIN rail 5 gn 58...150 Hz 35 x 15 mm symmetrical DIN rail +/-0.35 mm 10...58 Hz
Shock resistance	30 gn 11 ms IEC 88 reference 2-27

## Ordering and shipping details

Category	18215 - ADVANTYS STB I/O
Discount Schedule	PC32
GTIN	03595863949032
Nbr. of units in pkg.	1
Package weight(Lbs)	4.73 Oz (134 g)
Returnability	No
Country of origin	ID

## Packing Units

Unit Type of Package 1	PCE
Package 1 Height	1.06 In (2.7 cm)
Package 1 width	3.15 In (8 cm)
Package 1 Length	5.12 In (13 cm)

## Offer Sustainability

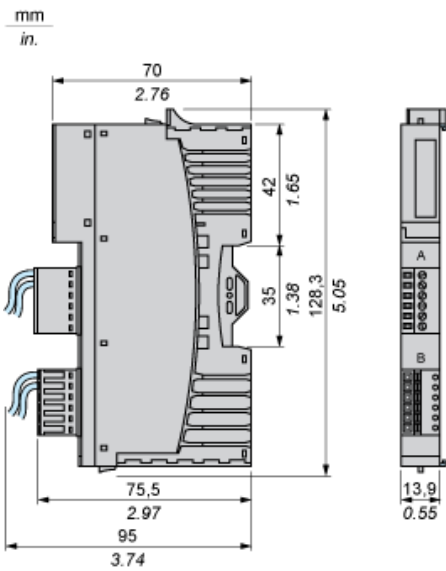
Sustainable offer status	Green Premium product
California proposition 65	WARNING: This product can expose you to chemicals including: Lead and lead compounds, which is known to the State of California to cause cancer and birth defects or other reproductive harm. For more information go to <a href="http://www.P65Warnings.ca.gov">www.P65Warnings.ca.gov</a>
REACH Regulation	<a href="#">REACH Declaration</a>
EU RoHS Directive	Pro-active compliance (Product out of EU RoHS legal scope) <a href="#">EU RoHS Declaration</a>
Mercury free	Yes
RoHS exemption information	<a href="#">Yes</a>
China RoHS Regulation	<a href="#">China RoHS Declaration</a>

Environmental Disclosure	<a href="#">Product Environmental Profile</a>
Circularity Profile	<a href="#">End Of Life Information</a>
WEEE	The product must be disposed on European Union markets following specific waste collection and never end up in rubbish bins.

### Contractual warranty

Warranty	18 months
----------	-----------

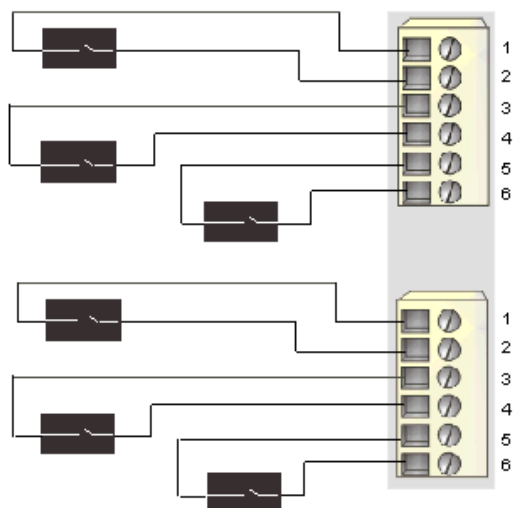
Dimensions



Wiring Diagram

Example

6 two-wire sensors



Pin	Top Connector	Bottom Connector
1	+24 VDC sensor bus power	+24 VDC sensor bus power
2	input from sensor 1	input from sensor 4
3	+24 VDC sensor bus power	+24 VDC sensor bus power
4	input from sensor 2	input from sensor 5
5	+24 VDC sensor bus power	+24 VDC sensor bus power
6	input from sensor 3	input from sensor 6

Product Life Status : **Commercialised**